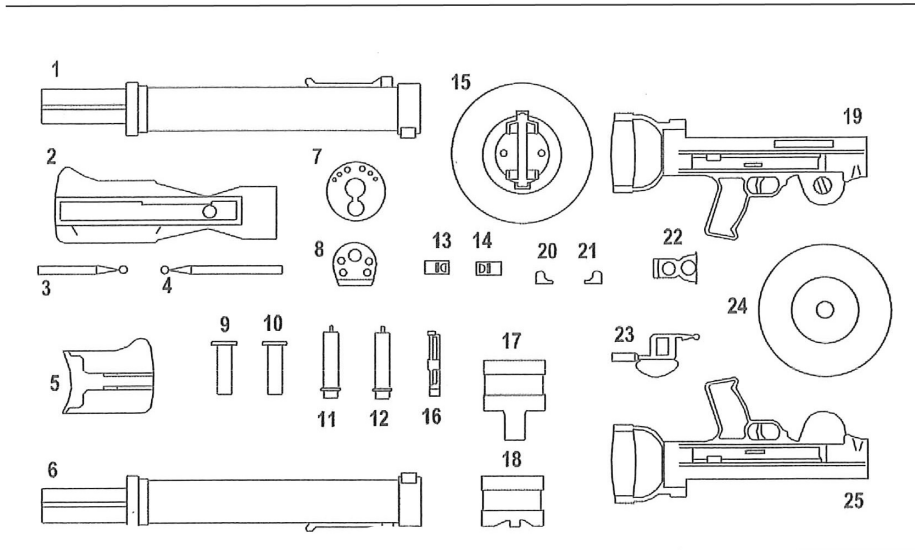


Lewis Mk.II Aircraft machine gun

scale 1/4



brush up

open hole

scratch build

option

color

- a** gun metal
- b** wood
- c** leather
- d** silver
- e** brass

A Assembly of parts 9 and 10. Material callout: **a**.

B Assembly of parts 8 and 15. Material callout: **a**. Dimension: $\varnothing 2,0\text{ mm}$.

C Assembly of parts 11 and 12. Material callout: **a**.

D Assembly of parts 19, 22, and 25. Material callouts: **a** and **b**. Dimension: $\varnothing 2\text{ mm}$.

E Assembly of parts 11 and 12. Material callout: **a**.

F Assembly of parts 22 and 25. Material callout: **a**. Dimension: $\varnothing 2\text{ mm}$.

Assembly of parts 15, 24, and 25. Material callouts: **a**, **d**, and **e**. Note: "side down".

Lewis Mk.II Aircraft machine gun

scale 1/4

